

Available in:

## 2.6 PITCH

Highest Resolution (Brightness - 1100 nits)

## 3.1 PITCH

Medium Resolution (for distance viewing)

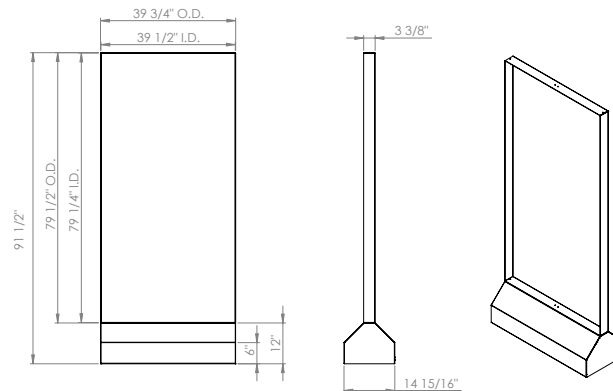
## 3.9 PITCH

Lower Resolution (for distance viewing)

Unified module design platform,  
UHL series with module size of 250x250mm  
with provided magnet and pop up  
module assembling method  
for front and rear access.



Module size: 12" x 12"



### Front installation, space saving

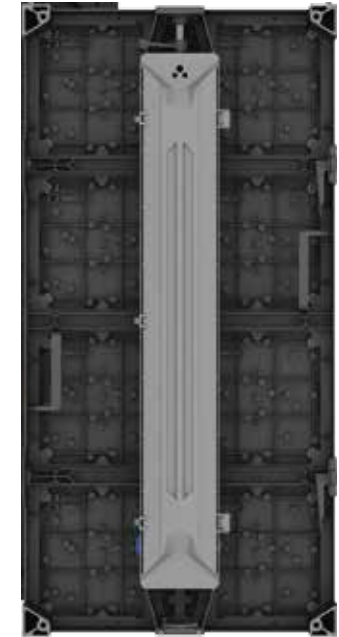
Our product provides a front access solution. You can install the screen from the surface of the wall, the thickness (including frame) is only 100mm, leaving more space for maintenance and dissipation.

Front maintenance, no maintenance path needed. Each module is equipped with magnet cylinders, which connect the module onto the panel structure.

### Horizontal / Vertical Extremely wide viewing angle

Smaller pitch indoor product will bring you an exquisite display effect, high brightness will ensure the visibility. The content will embrace you with vivid color and great visual impact.

For more detailed product information, please contact Nutis Visual Communications Group at (800) 848-6266.



Die Cast  
Cabinet Size:  
500mm x 1000mm (or nominal 2' x 4')



Model		HDL2.6	HDL3.1	HDL3.9	HDL4.8
Physical Parameter	LED type	SMD2020	SMD2020	SMD2020	SMD2020
	Pixel pitch	2.6mm	3.1mm	3.9mm	4.8mm
	Panel dimensions (WxHxD) (available in a half cabinet size, 500mmx500mm)	500x1000x83.3mm	500x1000x83.3mm	500x1000x83.3mm	500x1000x83.3mm
		19.68" x 39.36" x 3.24"	19.68" x 39.36" x 3.24"	19.68" x 39.36" x 3.24"	19.68" x 39.36" x 3.24"
	Pixel per panel(WxH)	192x384	160x320	128x256	104x208
	Pixel density	147456 per sqm	102400 per sqm	65536 per sqm	43264 per sqm
		73728 per panel	51200 per panel	32768 per panel	21632 per panel
		13699 per sqft	9513 per sqft	6088 per sqft	4019 per sqft
	Module dimensions	250x250mm	250x250mm	250x250mm	250x250mm
		9.84" x 9.84"	9.84" x 9.84"	9.84" x 9.84"	9.84" x 9.84"
	Panel material	Die Casting Aluminum	Die Casting Aluminum	Die Casting Aluminum	Die Casting Aluminum
Weight	13.5kg/panel	13.5kg/panel	13.5kg/panel	13.5kg/panel	
	27 kg/m <sup>2</sup>	27 kg/m <sup>2</sup>	27 kg/m <sup>2</sup>	27 kg/m <sup>2</sup>	
Electronic Parameter					
	Refresh rate	1920Hz	1920Hz	1920Hz	1920Hz
	Driving type	1/16 scan	1/16 scan	1/16 scan	1/13 scan
	Signal transmission	< 100m(CAT5)	< 100m(CAT5)	< 100m(CAT5)	< 100m(CAT5)
		100m-500m (Multimode)	100m-500m (Multimode)	100m-500m (Multimode)	100m-500m (Multimode)
500m-10km (Single mode)		500m-10km (Single mode)	500m-10km (Single mode)	500m-10km (Single mode)	
Optical Parameter	Brightness	1000/4500 nits	1000/4500 nits	1300/4500 nits	1100/4500 nits
	Hor. Viewing angle	160°	160°	160°	160°
	Ver. Viewing angle	160°	160°	160°	160°
Electrical Parameter	Input voltage&frequency	100-240V / 50-60Hz	100-240V / 50-60Hz	100-240V / 50-60Hz	100-240V / 50-60Hz
	Max Power consumption	360/520 w/panel	392/510 w/panel	456/510 w/panel	412/510 w/panel
	Average power consumption	120/170 w/panel	130/170 w/panel	152/170 w/panel	137/170 w/panel
Operating Environment	Temperature range	0°c /+45°c (operational)	0°c /+45°c (operational)	0°c /+45°c (operational)	0°c /+45°c (operational)
	Humidity	10%~60% (operational)	10%~60% (operational)	10%~60% (operational)	10%~60% (operational)
	IP rating (Front/Rear)	IP 40 / IP 21	IP 40 / IP 21	IP 40 / IP 21	IP 40 / IP 21

For more detailed product information, please contact The Nutis Visual Communications Group at (800) 848-6266.